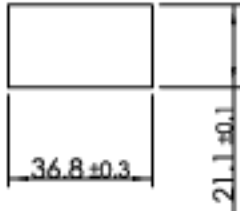



Rating	20A 125VAC/ 10A 277VAC 1-1/2HP 125-250VAC	Mount Hole	Circuit Structure
Contact R.	50m ohm Max.		
Insulation R.	DC 500V 100M ohm Min.		
Dielectric Strength	AC 1500V 1minute		
Circuit	6P DPDT ON-ON		

Operation Temperature: -20°C~85°C

