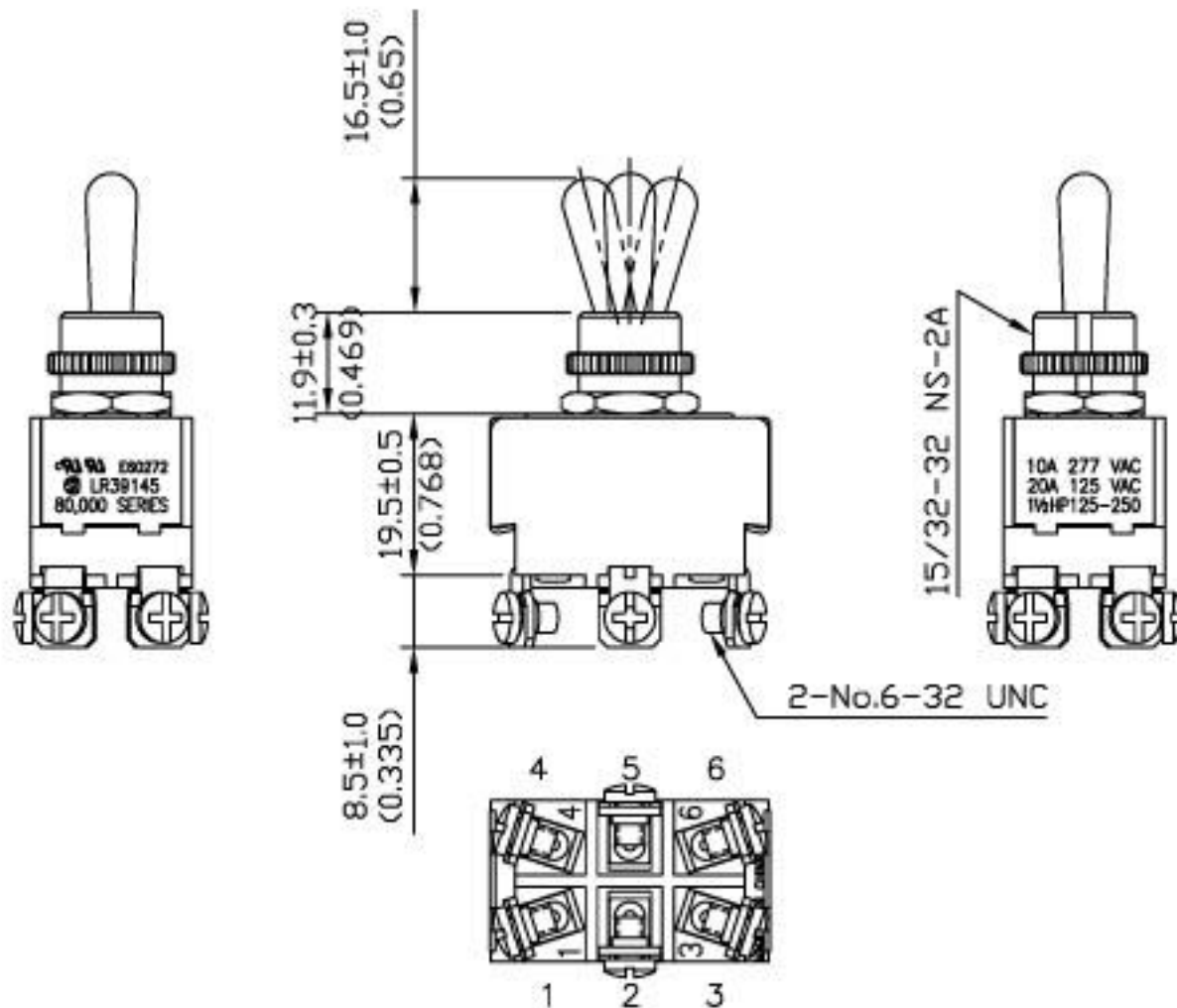
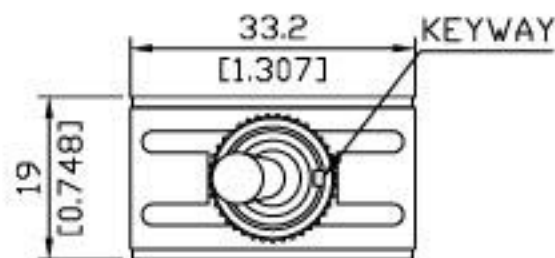


Rating	10A 277VAC, 20A 125VAC 1½HP 125-250VAC	Mount Hole		Circuit Structure	
Contact R	50m ohm Max.				
Insulation R	DC 500V 100M ohm Min.				
Dielectric Strength	AC 1500V 1 minute				
Circuit	6P DPDT ON-OFF-ON				
Operation Force	OFF-ON: 1500g ± 400g ON-OFF: 800g ± 200g				

KNURL NUT ASSY  
HEX NUT ASSY



Unit

mm  
(inch)

SPEMCO

1189/20

REV.

1