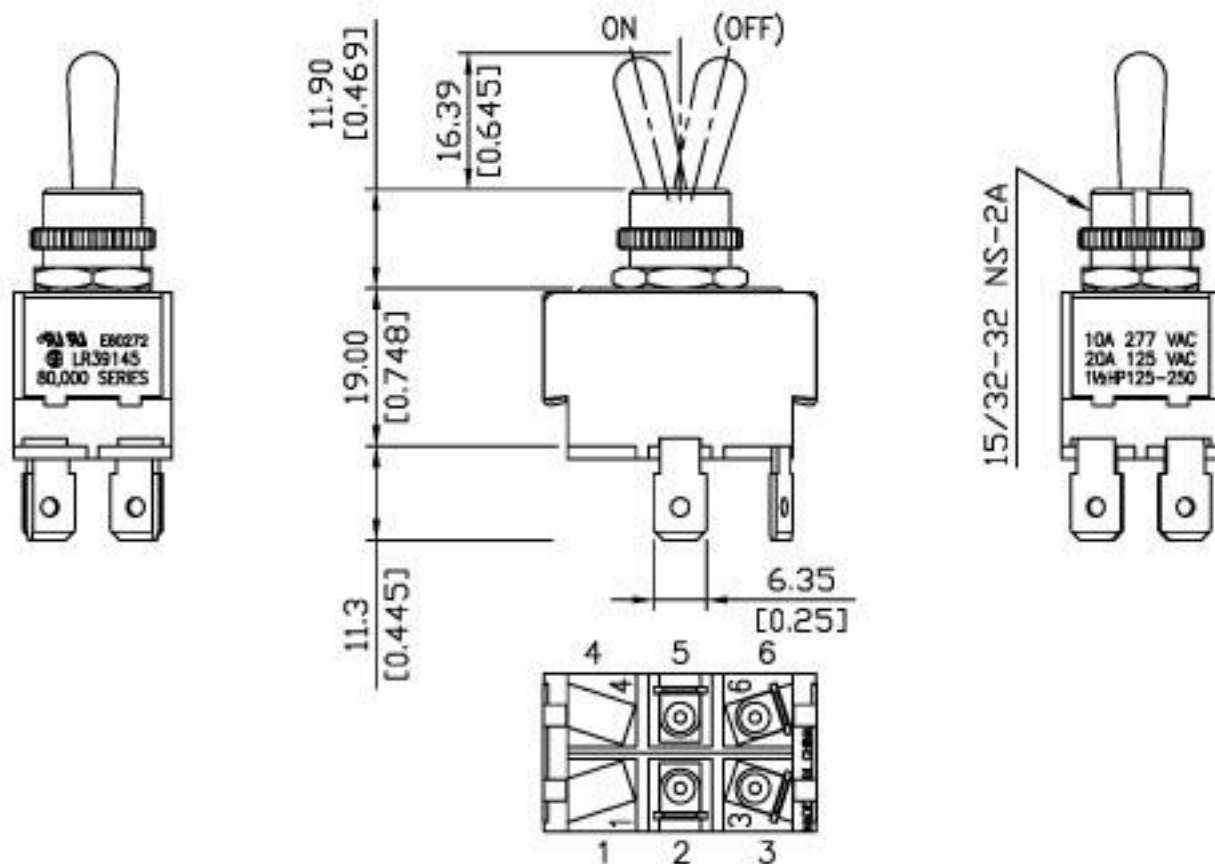
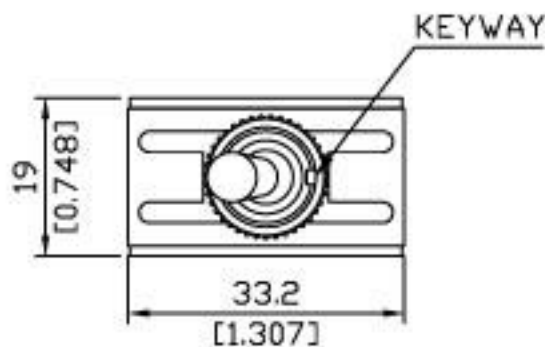


Rating	10A 277VAC, 20A 125VAC 1½HP 125-250VAC	Mount Hole	Circuit Structure
Contact R	50m ohm Max.		
Insulation R	DC 500V 100M ohm Min.		
Dielectric Strength	AC 1500V 1 minute		
Circuit	4P DPST ON-(OFF)		
Operation Force	1200g±400g		

HEX NUT ASSY  
KNURL NUT ASSY



Unit

mm  
(inch)

SPEMCO

1184/20

REV.

1