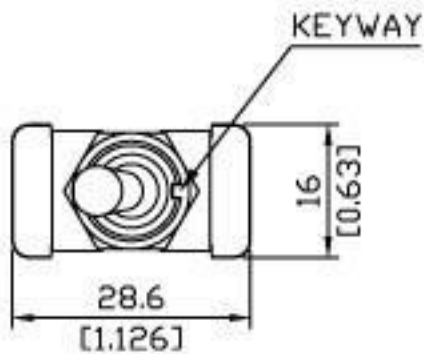
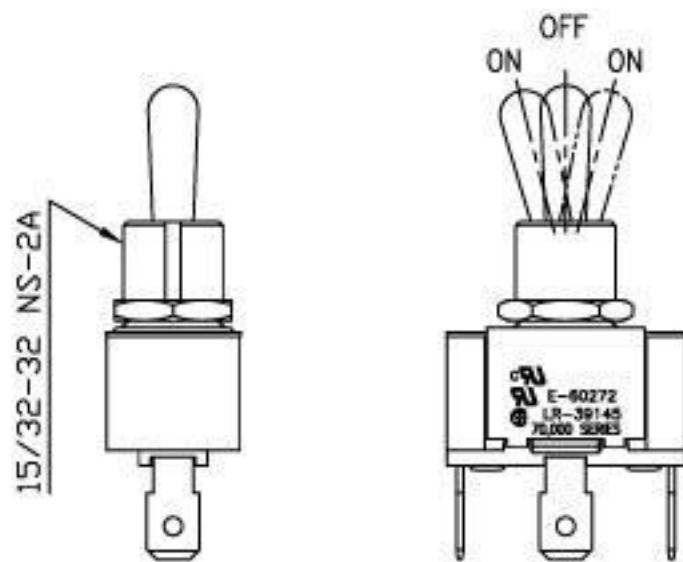
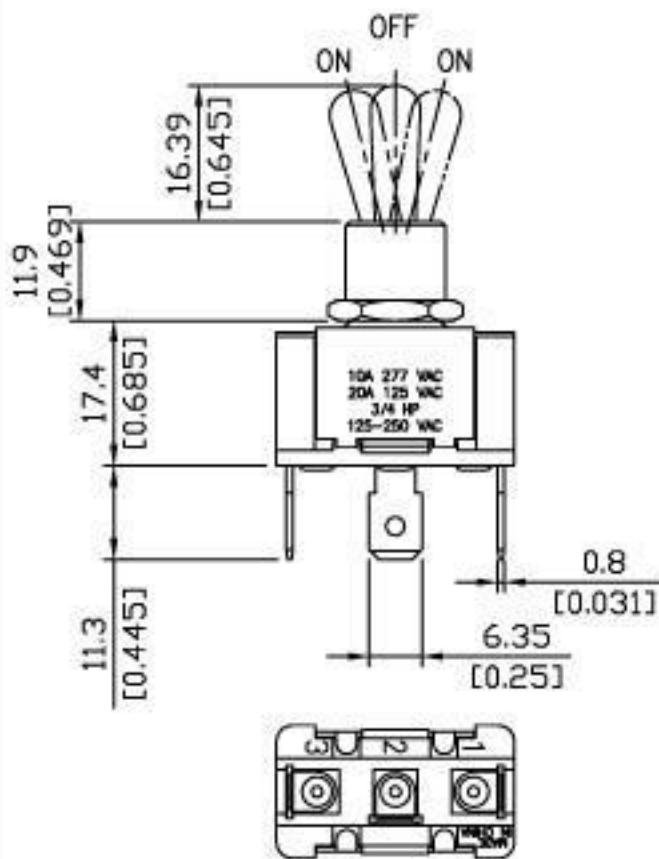


Rating	20A 125V,10A 277V AC 3/4HP 125-250 VAC	Mount Hole		Circuit Structure	
Contact R	50m ohm Max.				
Insulation R	DC 500V 100M ohm Min.				
Dielectric Strength	AC 1500V 1 minute				
Circuit	3P SPDT ON-OFF-ON				
Operation Force	OFF-ON:700g±200g ON-OFF:450g±150g				



HEX NUT ASSY

KNURL NUT IN BULK



Unit	mm (inch)	SPEMCO	1187-Q/20	REV.	1
------	--------------	--------	-----------	------	---