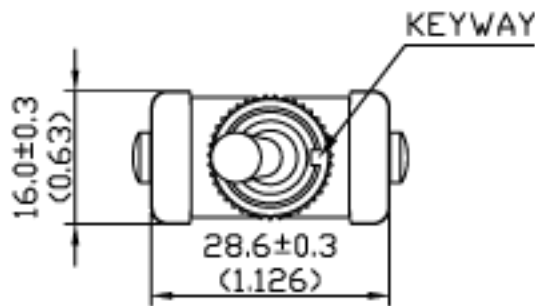
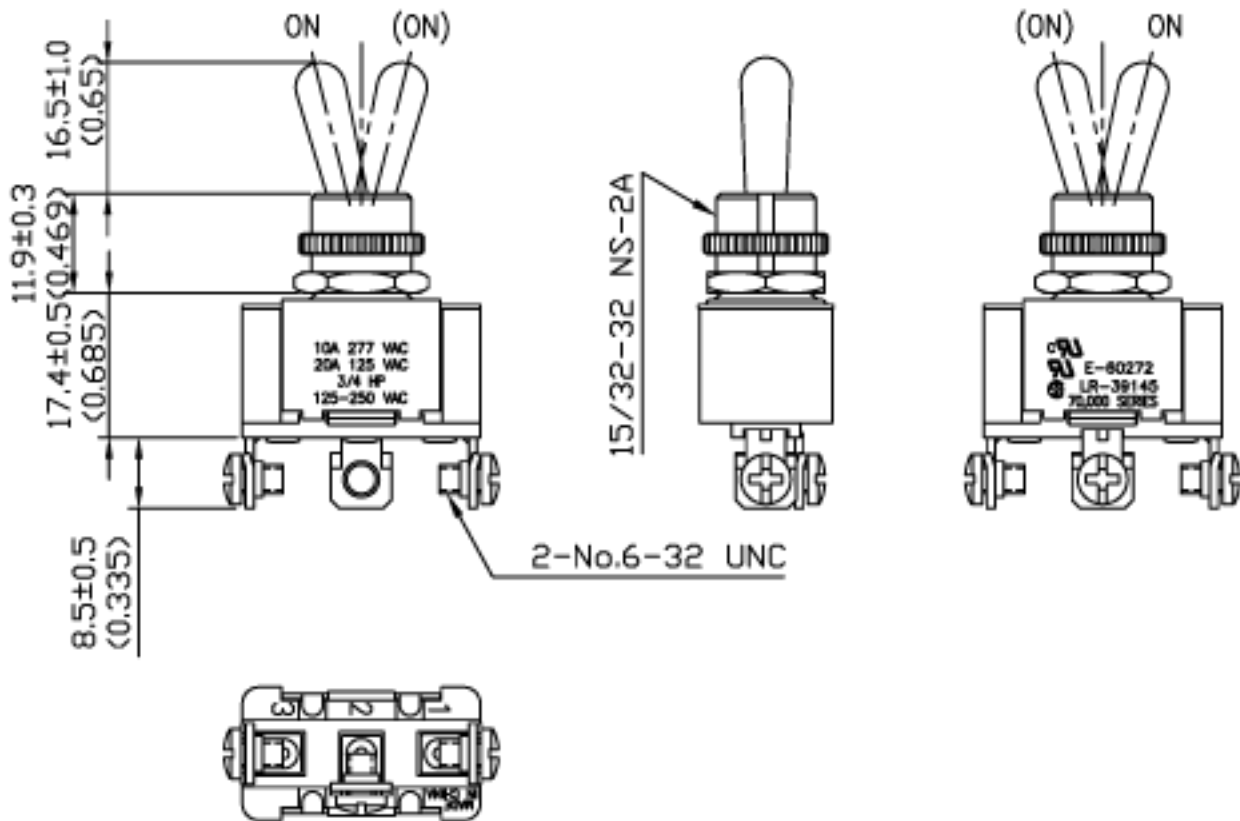


Rating	20A 125V,10A 277V AC 3/4HP 125-250 VAC	Mount Hole		Circuit Structure	
Contact R	50m ohm Max.				
Insulation R	DC 500V 100M ohm Min.				
Dielectric Strength	AC 1500V 1 minute				
Circuit	3P SPDT ON-(ON)				
Operation Force	800g $\pm$ 200g				



KNURL NUT ASSY  
HEX NUT ASSY



Unit	mm (inch)	SPEMCO	1241/20	REV.	1
------	--------------	--------	---------	------	---