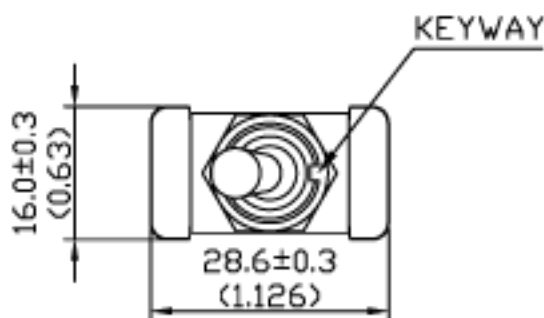


Rating	20A 125V, 10A 277V AC 3/4HP 125-250 VAC	Mount Hole		Circuit Structure	
Contact R	50m ohm Max.				
Insulation R	DC 500V 100M ohm Min.				
Dielectric Strength	AC 1500V 1 minute				
Circuit	2P SPST (ON-)OFF				
Operation Force	600g±200g				



HEX NUT ASSY  
KNURL NUT ASSY

