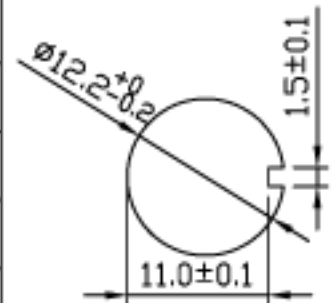

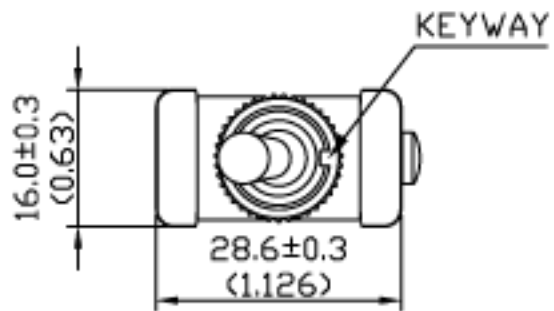
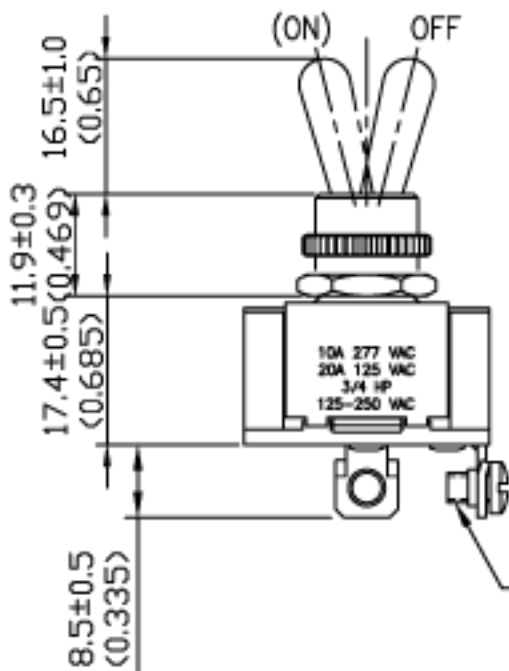


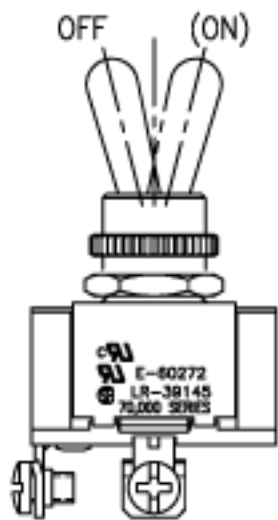
Rating	20A 125V,10A 277V AC 3/4HP 125-250 VAC	Mount Hole		Circuit Structure	
Contact R	50m ohm Max.				
Insulation R	DC 500V 100M ohm Min.				
Dielectric Strength	AC 1500V 1 minute				
Circuit	2P SPST (ON)-OFF				
Operation Force	700g±200g				



HEX NUT ASSY  
KNURL NUT ASSY



2-No.6-32 UNC



Unit	mm (inch)	SPEMCO	1196/20	REV.	1
------	--------------	--------	---------	------	---