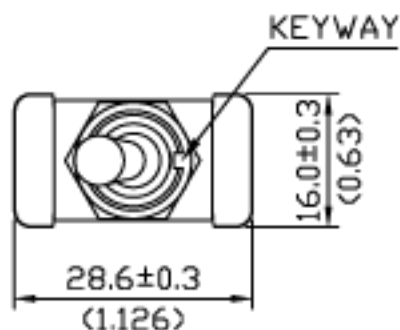
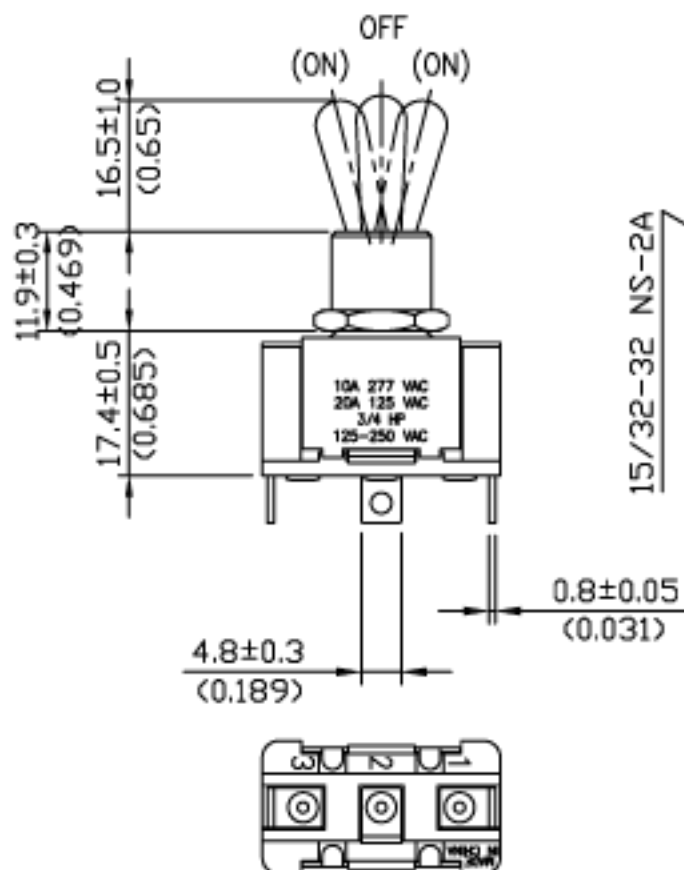


Rating	20A 125V,10A 277V AC 3/4HP 125-250 VAC	Mount Hole		Circuit Structure	
Contact R	50m ohm Max.				
Insulation R	DC 500V 100M ohm Min.				
Dielectric Strength	AC 1500V 1 minute				
Circuit	3P SPDT (ON)-OFF-(ON)				
Operation Force	800g \pm 200g				

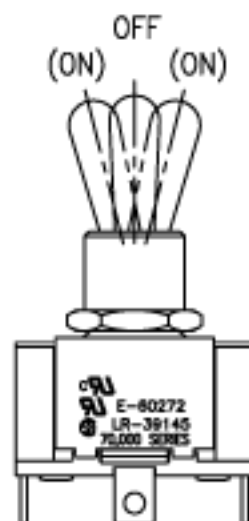


HEX NUT ASSY

KNURL NUT IN BULK



15/32-32 NS-2A



Unit

mm
(inch)

SPEMCO

1195-Q/20

REV.

1