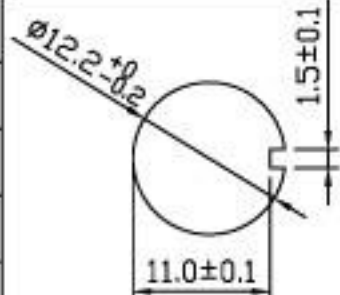

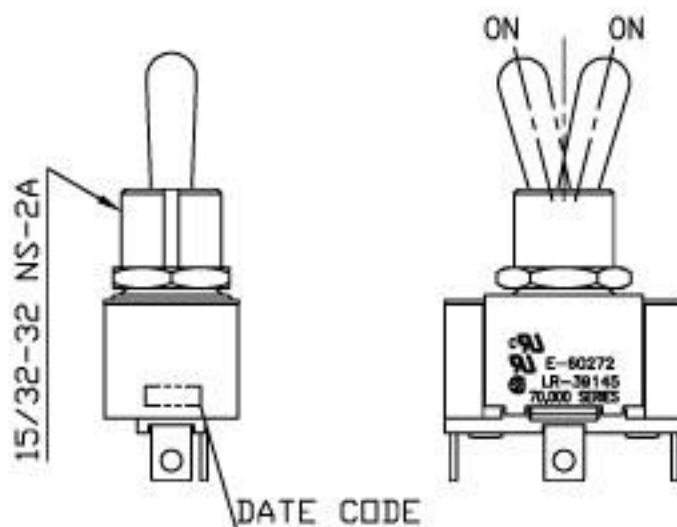
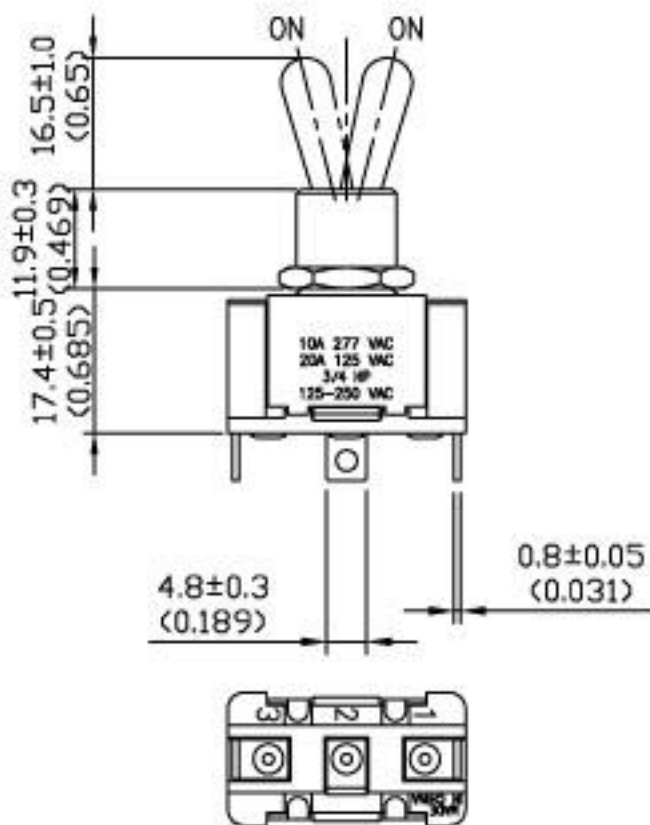
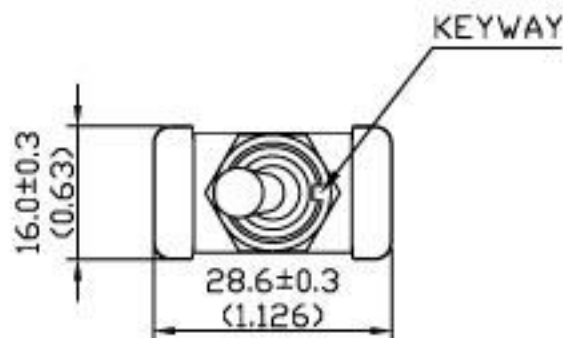


Rating	20A 125V, 10A 277V AC 3/4HP 125-250 VAC	Mount Hole		Circuit Structure	
Contact R	50m ohm Max.				
Insulation R	DC 500V 100M ohm Min.				
Dielectric Strength	AC 1500V 1 minute				
Circuit	3P SPDT ON-ON				
Operation Force	700g±200g				

HEX NUT ASSY



KNURL NUT IN BULK



Unit

mm
(inch)

SPEMCO

1186-S/20

REV.

1