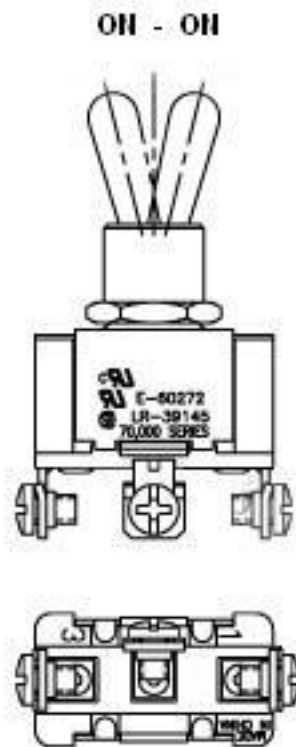
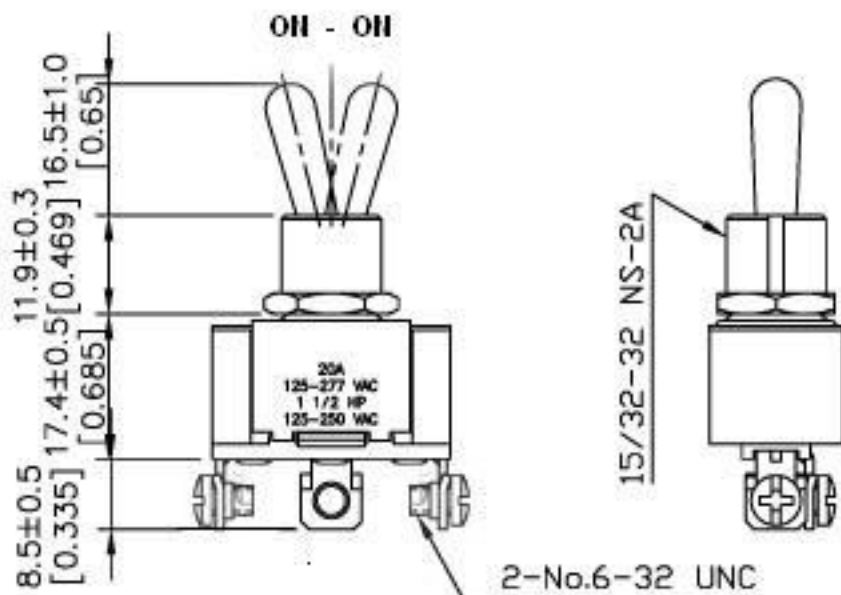
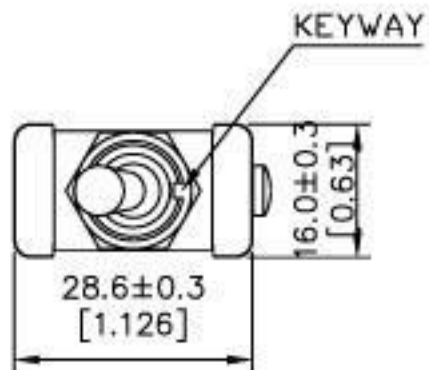


Rating	20A 125-277 VAC 1 1/2HP 125-250 VAC	Mount Hole		Circuit Structure	
Contact R	50m ohm Max.				
Insulation R	DC 500V 100M ohm Min.				
Dielectric Strength	AC 1500V 1 minute				
Circuit	3P SPDT OH-OH				
Operation Force	800g \pm 200g				



Unit

mm
(inch)

SPEMCO

1186/20

REV.

1

SPEMCO[®]