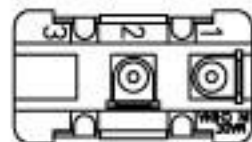
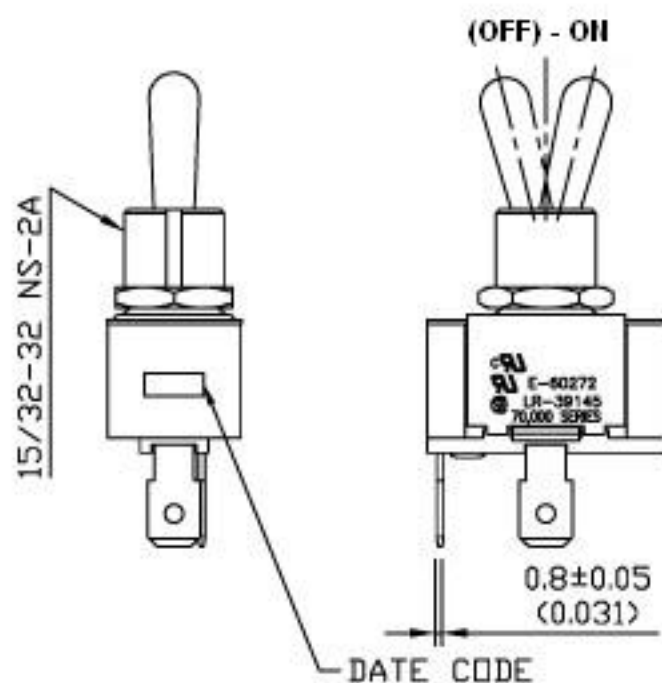
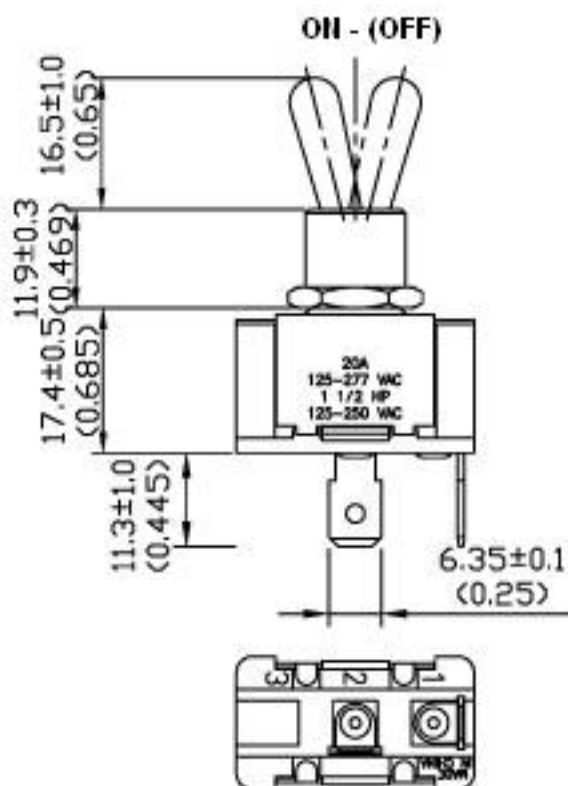
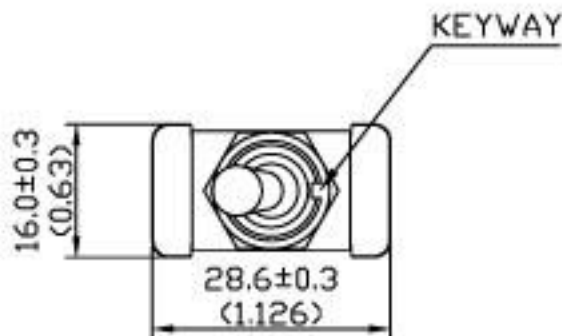


Rating	20A 125-277 VAC 1 1/2HP 125-250 VAC	Mount Hole		Circuit Structure	
Contact R	50m ohm Max.				
Insulation R	DC 500V 100M ohm Min.				
Dielectric Strength	AC 1500V 1 minute				
Circuit	2P SPST OII-(OFF)				
Operation Force	800g $\pm$ 200g				



Unit	mm (inch)	SPEMCO	1181-Q/20	REV.	2
------	--------------	--------	-----------	------	---